

WHELEN[®]

ENGINEERING COMPANY INC.

51 Winthrop Road
Chester, Connecticut 06412-0684
Phone: (860) 526-9504
Fax: (860) 526-4078
Internet: www.whelen.com
Sales e-mail: autosale@whelen.com
Canadian Sales e-mail: autocan@whelen.com
Customer Service e-mail: custserv@whelen.com

Installation Guide:
Dash-Miser Plus™
Models: DMP1S / DMP2S / DMP3S

Safety First

This document provides all the necessary information to allow your Whelen product to be properly and safely installed. Before beginning the installation and/or operation of your new product, the installation technician and operator must read this manual completely. Important information is contained herein that could prevent serious injury or damage.

- **Proper installation of this product requires the installer to have a good understanding of automotive electronics, systems and procedures.**
- **If mounting this product requires drilling holes, the installer MUST be sure that no vehicle components or other vital parts could be damaged by the drilling process. Check both sides of the mounting surface before drilling begins. Also de-burr the holes and remove any metal shards or remnants. Install grommets into all wire passage holes.**
- **If this manual states that this product may be mounted with suction cups, magnets, tape or Velcro™, clean the mounting surface with a 50/50 mix of isopropyl alcohol and water and dry thoroughly.**
- **Do not install this product or route any wires in the deployment area of your air bag. Equipment mounted or located in the air bag deployment area will damage or reduce the effectiveness of the air bag, or become a projectile that could cause serious personal injury or death. Refer to your vehicle owners manual for the air bag deployment area. The User/Installer assumes full responsibility to determine proper mounting location, based on providing ultimate safety to all passengers inside the vehicle.**
- **For this product to operate at optimum efficiency, a good electrical connection to chassis ground must be made. The recommended procedure requires the product ground wire to be connected directly to the NEGATIVE (-) battery post (this does not include products that use cigar power cords).**
- **If this product uses a remote device for activation or control, make sure that this device is located in an area that allows both the vehicle and the device to be operated safely in any driving condition.**
- **Do not attempt to activate or control this device in a hazardous driving situation.**
- **This product contains either strobe light(s), halogen light(s), high-intensity LEDs or a combination of these lights. Do not stare directly into these lights. Momentary blindness and/or eye damage could result.**
- **Use only soap and water to clean the outer lens. Use of other chemicals could result in premature lens cracking (crazing) and discoloration. Lenses in this condition have significantly reduced effectiveness and should be replaced immediately. Inspect and operate this product regularly to confirm its proper operation and mounting condition. Do not use a pressure washer to clean this product.**
- **It is recommended that these instructions be stored in a safe place and referred to when performing maintenance and/or reinstallation of this product.**
- **FAILURE TO FOLLOW THESE SAFETY PRECAUTIONS AND INSTRUCTIONS COULD RESULT IN DAMAGE TO THE PRODUCT OR VEHICLE AND/OR SERIOUS INJURY TO YOU AND YOUR PASSENGERS!**

For warranty information regarding this product, visit www.whelen.com/warranty

Read Before Installation

WARNING: The use of any magnetically mounted warning device on the outside of a vehicle in motion is not recommended and is the sole risk and responsibility of the user.

WARNING: Do not attempt to wash this or any other electrical device while it is connected to its power source. Exposure to any liquid while product is connected to power source may result in an electrical short circuit within the product and will cause permanent damage to the product and possible injury to the user.

WARNING: All customer supplied wires that connect to the positive terminal of the battery must be sized to supply at least 125% of the maximum operating current and **FUSED** at the battery to carry that load. **DO NOT USE CIRCUIT BREAKERS WITH THIS PRODUCT!**

WARNING: The strobe light power supply is a high voltage device. Do not remove strobe tubes or dismantle strobe light head assemblies in the system while it is in operation. Wait 10 minutes after turning off power before starting work or any trouble shooting.

WARNING: This product has been designed to rest on top of the vehicle's dashboard. Suction cups are available to prevent lateral movement while the vehicle is in motion. These suction cups should not be used to suspend this product above the dashboard.

IMPORTANT: It is the responsibility of the installation technician to make sure that the installation and operation of this product will not interfere with or compromise the operation or efficiency of any vehicle equipment! Before returning the vehicle to active service, visually confirm the proper operation of this product, as well as all vehicle components/equipment.

Installation:

1. Determine mounting style (windshield or dashboard). For windshield mounting, apply the supplied suction cups to the universal mounting bracket. Windshield mounting requires the DashMiser™ Plus to be in contact with the Dash while secured to the windshield. For dashboard mounting use the velcro strips (See Fig. 1).
2. To adjust the light, loosen the adjustment nuts, position the unit for optimum visibility and re-tighten the adjustment nuts (Fig. 4). Your light should be adjusted so that its beam is parallel with the road at drivers-eye level. This ensures visibility by other vehicles on the road.
3. Plug power cord into your vehicle's cigarette lighter socket to activate the light. If you are installing the DMP3S, refer to Fig. 2 when wiring the center take-down lamp.

Operation: Scan-Lock™

TO CYCLE FORWARD THROUGH ALL PATTERNS: With the lighthouse on: Press the pattern selection button for less than 1 second and release. This will change the pattern. Repeat to go to next pattern.

TO CHOOSE A PATTERN: While cycling through the patterns, when you find the pattern you want, let it run for more than 5 seconds and it will lock in and become the default pattern.

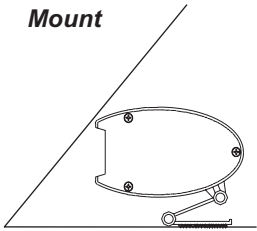
TO RESET TO THE FACTORY DEFAULT PATTERN: Turn off the Dash-Miser™, press the pattern selection button, then turn the unit back on.

PATTERN LIST:

1. CometFlash® (default)
2. TripleFlash™
3. DoubleFlash
4. SingleFlash
5. ActionFlash™
6. ModuFlash™
7. MicroBurst II™
8. MicroBurst III™
9. LongBurst™
10. ActionScan™

Fig. 1

Dashboard Mount



Windshield Mount

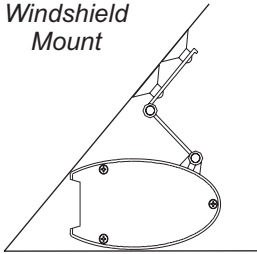


Fig. 2

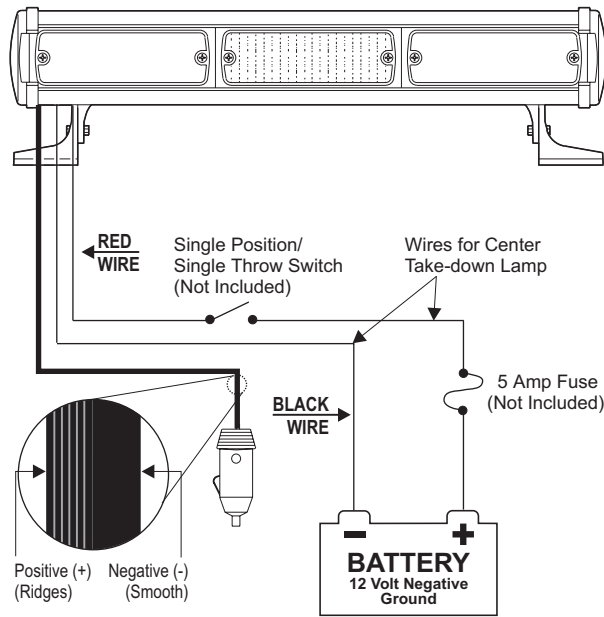


Fig. 3

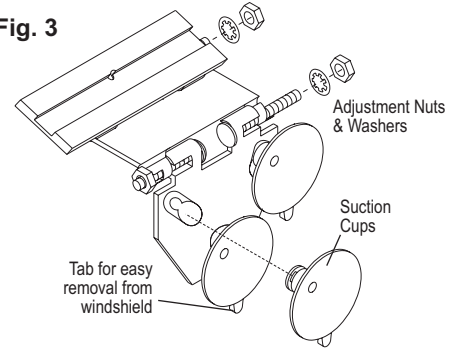
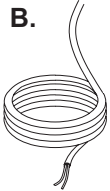
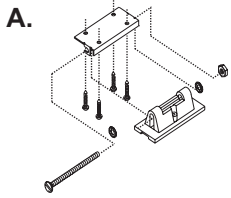
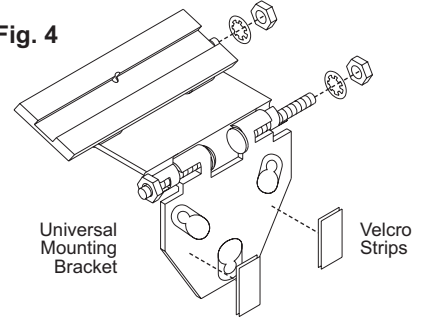
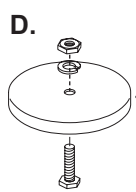
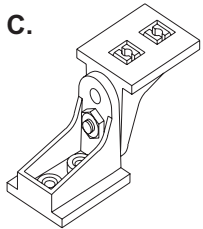
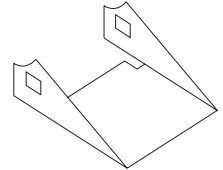


Fig. 4

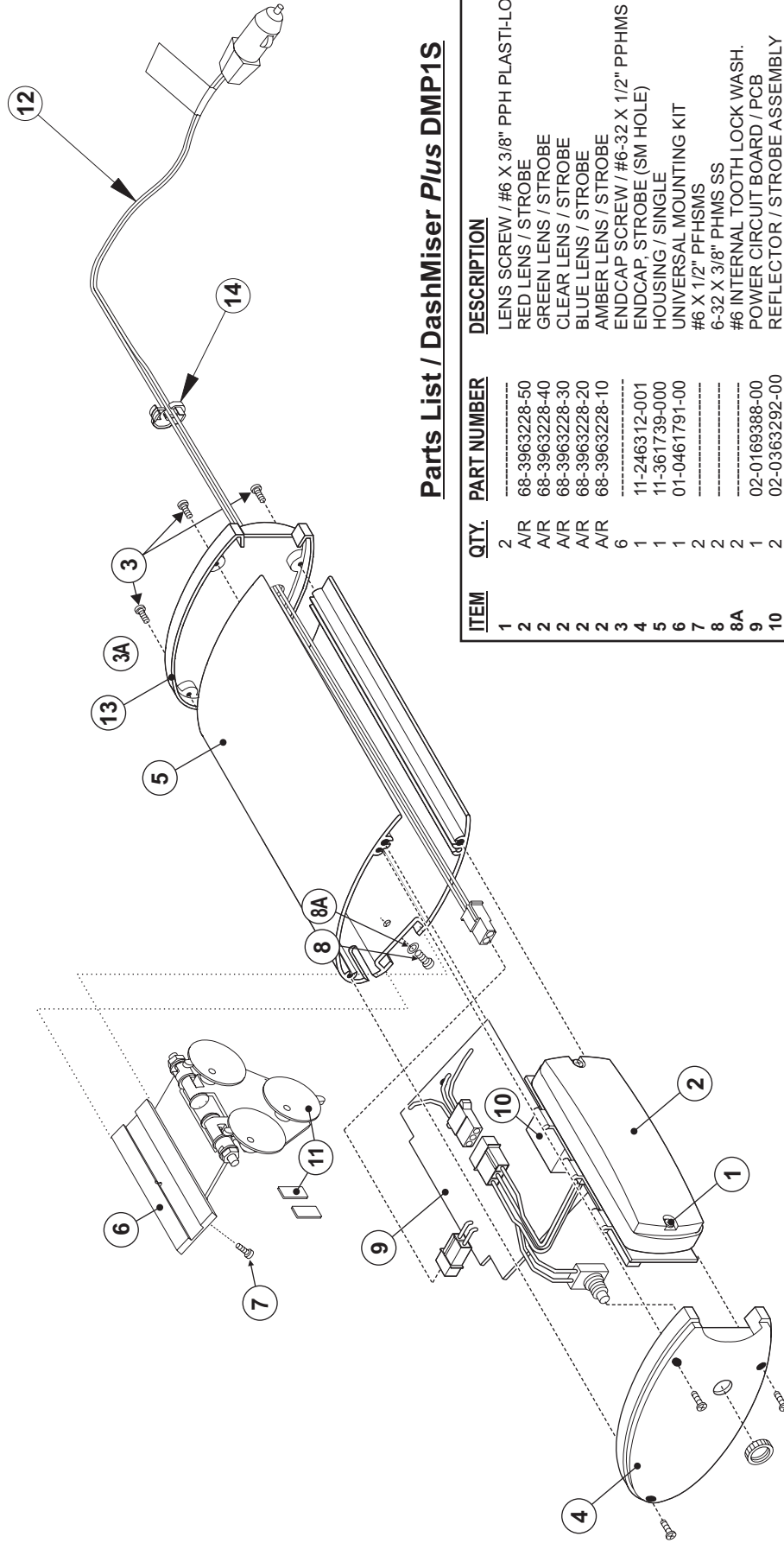


Below are the options that are available for the Dash-Miser™ Plus. Please be sure to note the model number of the desired option when ordering.

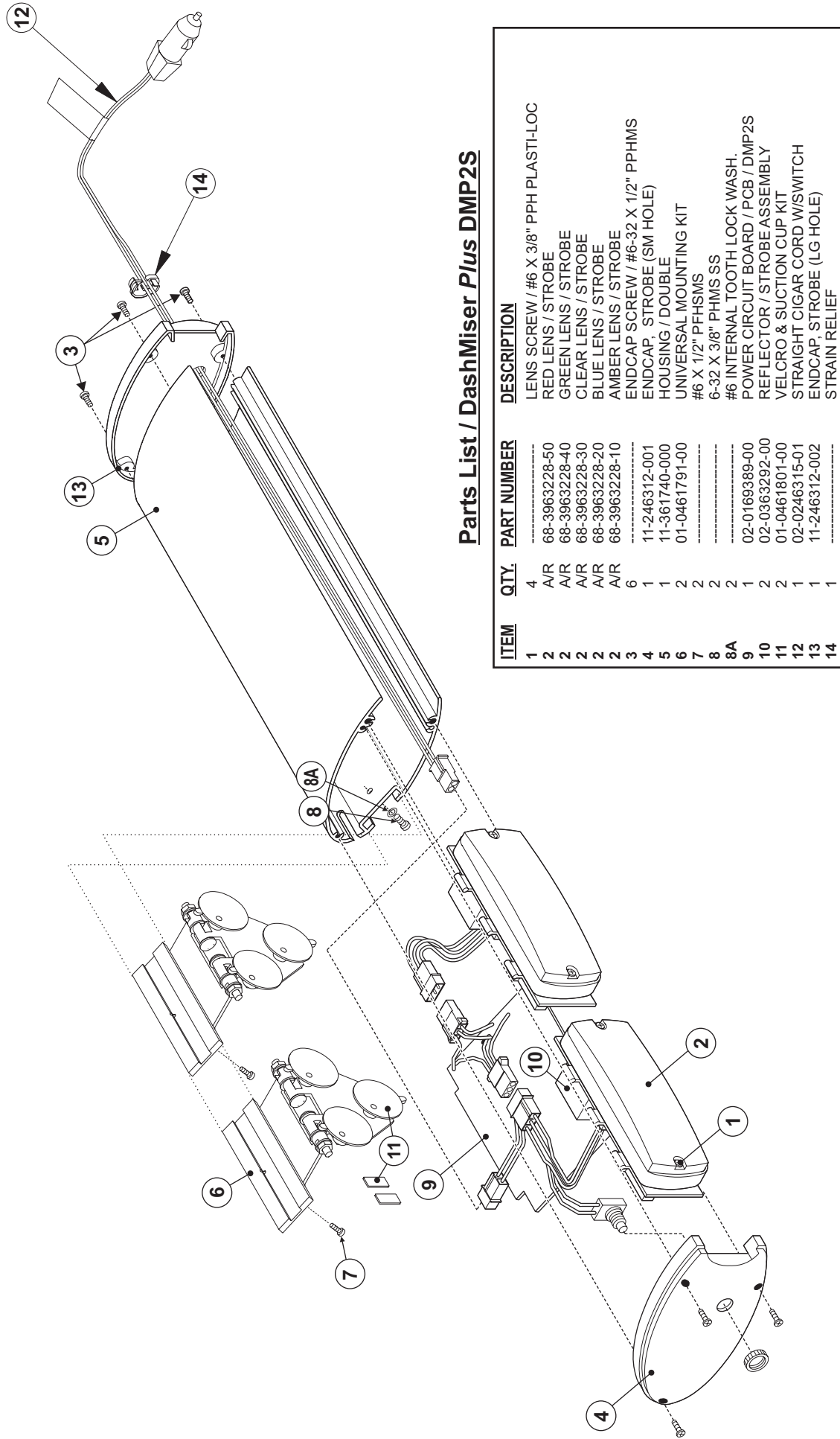
DESCRIPTION	MODEL
A - MOUNTING BRACKET FOR CROWN VICTORIA	DMBCV94
B - 15 FOOT POWER CORD (DMP3H & DMP3S ONLY)	EXT15
C - SWIVEL FOOT MOUNT	DMPED
D - MAGNETIC MOUNT KIT	DMMM
E - SIDE GLARE SHIELD KIT	DMPWH**
F - COILED CIGAR POWER CORD	DMCC
G - CIGAR POWER CORD WITH REMOTE SWITCH	DMPGPSW
Not Shown- MOUNTING BRACKET FOR FORD EXPLORER	DMBEXP94
Not Shown- MOUNTING BRACKET FOR CAPRICE CLASIC	DMBCAP94
** = Insert Number for Model Being Ordered - 1= DMP1SL, 2= DMP2SL	



Parts List / DashMiser Plus DMP1S

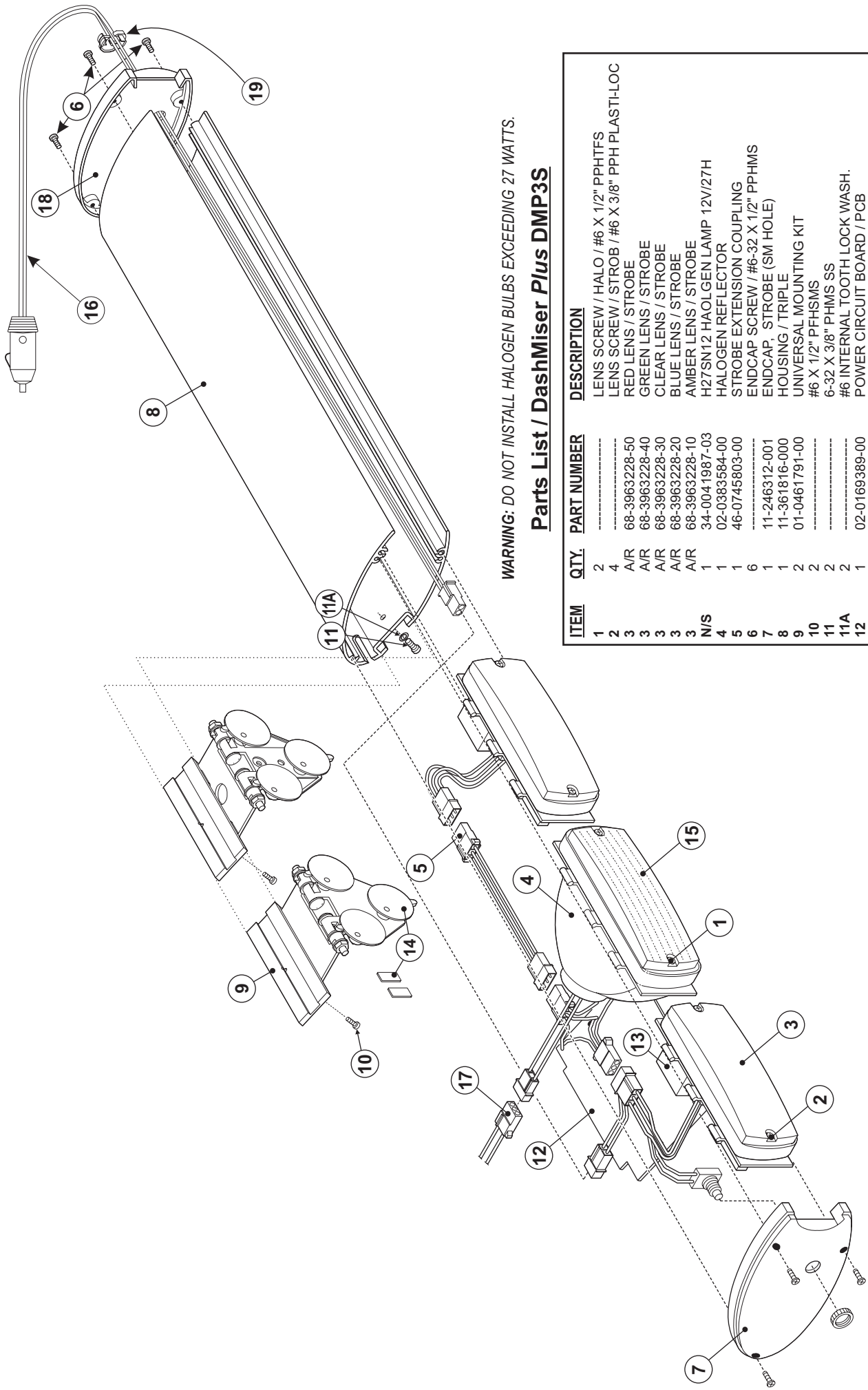


ITEM	QTY.	PART NUMBER	DESCRIPTION
1	2	68-3963228-50	LENS SCREW / #6 X 3/8" PPH PLASTH-LOC
2	A/R	68-3963228-40	RED LENS / STROBE
2	A/R	68-3963228-30	GREEN LENS / STROBE
2	A/R	68-3963228-20	CLEAR LENS / STROBE
2	A/R	68-3963228-10	BLUE LENS / STROBE
2	A/R	68-3963228-00	AMBER LENS / STROBE
3	6	11-246312-001	ENDCAP SCREW / #6-32 X 1/2" PPHMS
4	1	11-361739-000	ENDCAP STROBE (SM HOLE)
5	1	01-0461791-00	HOUSING / SINGLE
6	1	02-0169388-00	UNIVERSAL MOUNTING KIT
7	2	02-0363292-00	#6 X 1/2" PFHMS
8	2	01-0461801-00	6-32 X 3/8" PHMS SS
8A	2	02-0169388-00	#6 INTERNAL TOOTH LOCK WASH.
9	1	02-0363292-00	POWER CIRCUIT BOARD / PCB
10	2	01-0461801-00	REFLECTOR / STROBE ASSEMBLY
11	2	02-0246315-01	VELCRO & SUCTION CUP KIT
12	1	11-246312-002	STRAIGHT CIGAR CORD w/SWITCH
13	1		ENDCAP STROBE (LG HOLE)
14	1		STRAIN RELIEF



Parts List / DashMiser Plus DMP2S

ITEM	QTY.	PART NUMBER	DESCRIPTION
1	4	68-3963228-50	LENS SCREW / #6 X 3/8" PPH PLASTI-LOC
2	A/R	68-3963228-40	RED LENS / STROBE
2	A/R	68-3963228-30	GREEN LENS / STROBE
2	A/R	68-3963228-20	CLEAR LENS / STROBE
2	A/R	68-3963228-10	BLUE LENS / STROBE
2	A/R	68-3963228-00	AMBER LENS / STROBE
3	6	11-246312-001	ENDCAP SCREW / #6-32 X 1/2" PPHMS
4	1	11-361740-000	ENDCAP, STROBE (SM HOLE)
5	1	01-0461791-000	HOUSING / DOUBLE
6	2		UNIVERSAL MOUNTING KIT
7	2		#6 X 1/2" PFHMS
8	2		6-32 X 3/8" PHMS SS
8A	2		#6 INTERNAL TOOTH LOCK WASH.
9	1	02-0169389-00	POWER CIRCUIT BOARD / PCB / DMP2S
10	2	02-0363292-00	REFLECTOR / STROBE ASSEMBLY
11	2	01-0461801-00	VELCRO & SUCTION CUP KIT
12	1	02-0246315-01	STRAIGHT CIGAR CORD W/SWITCH
13	1	11-246312-002	ENDCAP, STROBE (LG HOLE)
14	1		STRAIN RELIEF



WARNING: DO NOT INSTALL HALOGEN BULBS EXCEEDING 27 WATTS.

Parts List / DashMiser Plus DMP3S

ITEM	QTY.	PART NUMBER	DESCRIPTION
1	2		LENS SCREW / HALO / #6 X 1/2" PPHTF5
2	4		LENS SCREW / STROBE / #6 X 3/8" PPH PLASTI-LOC
3	A/R	68-3963228-50	RED LENS / STROBE
3	A/R	68-3963228-40	GREEN LENS / STROBE
3	A/R	68-3963228-30	CLEAR LENS / STROBE
3	A/R	68-3963228-20	BLUE LENS / STROBE
3	A/R	68-3963228-10	AMBER LENS / STROBE
N/S	1	34-0041987-03	H27SN12 HALOGEN LAMP 12V/27H
4	1	02-0383584-00	HALOGEN REFLECTOR
5	1	46-0745803-00	STROBE EXTENSION COUPLING
6	6		ENDCAP SCREW / #6-32 X 1/2" PPHMS
7	1	11-246312-001	ENDCAP, STROBE (SM HOLE)
8	1	11-361816-000	HOUSING / TRIPLE
9	2	01-0461791-00	UNIVERSAL MOUNTING KIT
10	2		#6 X 1/2" PFHMS
11	2		6-32 X 3/8" PHMS SS
11A	2		#6 INTERNAL TOOTH LOCK WASH.
12	1	02-0169389-00	POWER CIRCUIT BOARD / PCB
13	2	02-0363292-00	REFLECTOR / STROBE ASSEMBLY
14	2	01-0461801-00	VELCRO & SUCTION CUP KIT
15	A/R	68-1963237-V0	VIOLET LENS / HALOGEN
15	A/R	68-1963237-50	RED LENS / HALOGEN
15	A/R	68-1963237-40	GREEN LENS / HALOGEN
15	A/R	68-1963237-30	CLEAR LENS / HALOGEN
15	A/R	68-1963237-20	BLUE LENS / HALOGEN
15	A/R	68-1963237-10	AMBER LENS / HALOGEN
16	1	02-0246315-00	CIGAR CORD W/SWITCH
17	1	46-0721289-01	POWER PIGTAIL ASSEMBLY
18	1	11-246312-002	ENDCAP, STROBE (LG HOLE)
19	1		STRAIN RELIEF